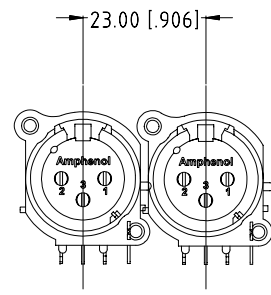
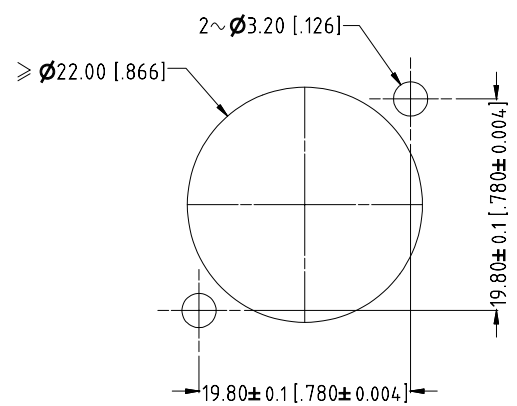


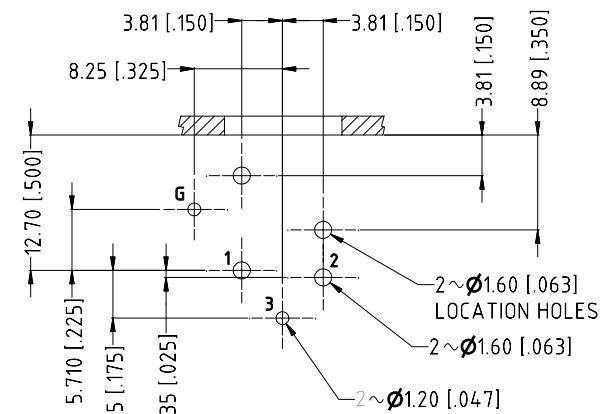
ISO VIEW
SCALE 1:1



MIN MOUNTING PITCH
SCALE 1:1



PANEL CUT OUT
REAR VIEW



PCB LAYOUT
COMPONENT SIDE
TOLERANCE: ± 0.05mm [0.002"]

UNLESS OTHERWISE SPECIFIED TOLERANCE TO BE		THIS DOCUMENT IS THE PROPERTY OF AMPHENOL AUSTRALIA PTY. LTD. NO PART THEREOF MAY BE REPRODUCED AND USED WITHOUT THE PRIOR WRITTEN CONSENT OF THE OWNER				1	UPDATE FROM CUSTOMER DRAWING ADD PAGE 1 OF 2 FOR ASSEMBLY DRAWING	L.V	12-06-03	8185			
LINEAR	ANGULAR	CAD FILE: 55010047000221 DRN: L.V DATE: 06-03-01 MATL: SEE COMPONENT CKD: M.K.H DATE: 20-06-03 FINISH: SEE COMPONENT APPD: P.M DATE: 30-06-03				0	FIRST ISSUE	L.V	06-03-01	----			
X ± 0.5	X' ± 1					REV.				CHANGE DETAILS			
XX ± 0.1	XX' ± 30'					BY				DATE			
XXX ± 0.05	XXX' ± 15'	DO NOT SCALE				TITLE: AC3FAHL2-AU A-TYPE HORIZ CUSTOMER DWG				Amphenol Australia Pty Ltd, 2 Fineways Blvd, Keyborough, Vic3173			
BREAK ALL SHARP EDGES AND REMOVE ALL BURRS		DIMENSIONS IN MILLIMETRES				SCALE: 2:1 UOS		PART No: 55010047-000		SIZE: A3			
THIRD ANGLE PROJECTION		DRAWING NO. 55010047-000-2				SHEET 2/2							

Mouser Electronics

Authorized Distributor

Click to View Pricing, Inventory, Delivery & Lifecycle Information:

[Amphenol:](#)

[AC3FAHL2-AU-B](#) [AC3FAH2-AU-PRE](#) [AC3FAHL2-AU-PRE](#)